

# B 18a Enhanced LF for ARES 8



B 18a is a compact, self-powered LF extension for ARES 8 line arrays, enhancing the system's low end response and directivity. ARES 8 and B 18a unite with S / MTSUB Series subs to form a consistent, high performance, 4-way line array system. B 18a is fully compatible with the ARES 8 rigging system and can be flown alongside, on top of or behind ARES 8 elements, or deployed in ground stack / standalone configurations.

The B 18a features an advanced AUDIOFOCUS SCiO Class D amplifier module with integrated DSP and houses a long excursion 18" neodymium driver, combining front diffusion, bass reflex, and transmission line design for ultimate efficiency and performance.

B 18a is built with pride in Belgium and coated in tough, weather-resistant polyurea to safeguard your investment. The cabinet front is protected by a rigid metal grill, backed by acoustically transparent foam.



Up to 5.000



Complete solution



55Hz to 110Hz

## Technical specifications

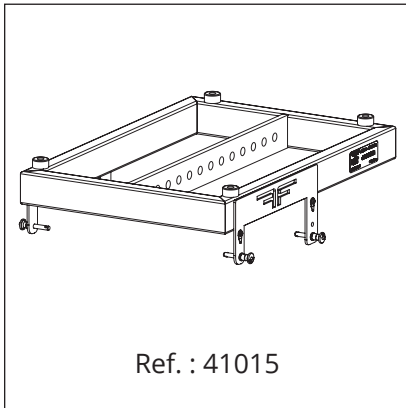
Description	LF extension for ARES 8
Transducers	LF: 1 x 18"
Frequency range (-6dB)	55Hz-110Hz
Peak SPL (1)	132 dB
Processing	Dedicated AUDIOFOCUS presets
Rigging	20 different inter-cabinet angle positions, from 0 to 10°
Audio connectors	IN: 1×3-point XLR • LINK: 1×3-point XLR
Network connectors	2 x etherCON for control and optional Dante / AVB.
Power Connectors	IN: 1×3-point powerCON TRUE1TOP LINK: 1×3-point powerCON TRUE1TOP
Dimensions (H x W x D)	510 x 650 x 705 mm • 20.07 x 25.59 x 27.75 inches
Weight	55kg / 121.25lbs
Finish	Highly resistant polyurea coating
Cabinet	High grade birch plywood

(1) Peak level measured at 1 m under free field conditions using pink noise with crest factor 5

## Accessories

---

### Bumper (Multi-system flying frame) for ARES 8, B18

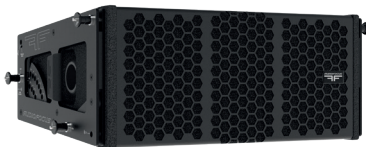


## Related Speakers

---

### ARES 8a

Touring 2-way self-powered line array loudspeaker



Ref. : 48086

## Software

---



### SCiO

#### ***Connect & Control your amplifiers***

AUDIOFOCUS SCiO amplifiers can be securely monitored and controlled anytime, anywhere over the network.

Our intuitive Web UI network manager is web-based, eliminating the need for software downloads, and allows multiple amplifiers to be managed from your preferred device.

The network manager offers the comprehensive processing options you would expect from a high-end system controller.

For more detailed information **please visit the [AUDIOFOCUS SCiO page](#)**.

## Contact & Links

---

### Need more information about our products ?

[www.audiofocus.eu](http://www.audiofocus.eu)

[info@audiofocus.eu](mailto:info@audiofocus.eu)

[www.facebook.com/AudiofocusPage/](https://www.facebook.com/AudiofocusPage/)

[www.facebook.com/groups/AUDIOFOCUS/](https://www.facebook.com/groups/AUDIOFOCUS/)

Scan QR Code to view the B 18a product's web page.



Follow Us.

