

# CYRIS CX6 Super-compact 6" coaxial.



Cyris CX6 is a super-compact 2-way passive loudspeaker, housing a powerful 6" coaxial transducer with 1" HF compression driver in a similar footprint to industry-standard 5" coax designs. The 6" driver features an aluminium demodulation ring for low distortion and enhanced vocal clarity and employs neodymium for reduced weight and high flux density. CX6 delivers class-leading SPL in short-throw applications and is also an ideal fill cabinet in larger installed and touring systems.

Cyris CX6 speakers can be paired with the C210S / C210Sa low-profile subwoofer as a compact, plug 'n play solution for bars, conferences, parties and more. The active C210Sa can power multiple CX6 cabinets, while the passive C210S is ideal when using A-series rack amplifiers. A mic stand attachment and M6 inserts for an optional U bracket add further versatility for integrators and rental companies. When employed as a fill speaker, the CX6 is also an ideal accompaniment to larger ARES, FRX, Carys and VENU series cabinets.

Cyris CX6 upholds AUDIOFOCUS' reputation for exceptional build quality and audio performance. The distinctive curved CX6 enclosure is hand-built in Belgium from birch plywood and premium components before being encased in a tough, weather-resistant polyurea coating.



Complete solution with C210Sa



SCiO Presets

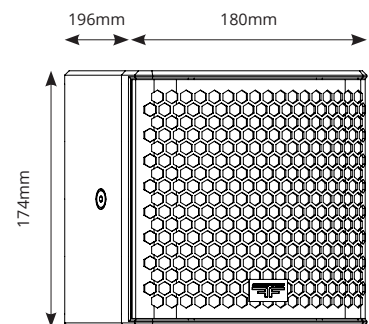


90Hz to 18kHz

## Technical specifications

Description	Coaxial 2-way passive full-range point source
Transducers	6" Coaxial with 1" HF compression driver
Frequency range (-6dB)	90Hz - 18kHz
Nominal directivity (-6dB)	90°x 90°
SPL max (1)	122.4dB
Processing	Dedicated AUDIOFOCUS A series SCiO presets
Rigging	2 M6 inserts for optional U bracket 1 x 3/8" insert for microphone stand
Connectors	2x4-point speakON
Nominal Impedance	8ohm • Passive cross-over network
Watt AES/peak	165W / 660W
Dimensions (H x W x D)	174 x 180 x 196 mm • 6.85 x 7.09 x 7.72 inches
Weight	3,05kg / 6.61lbs
Finish	Highly resistant polyurea coating
Cabinet	High grade birch plywood

## Dimensions

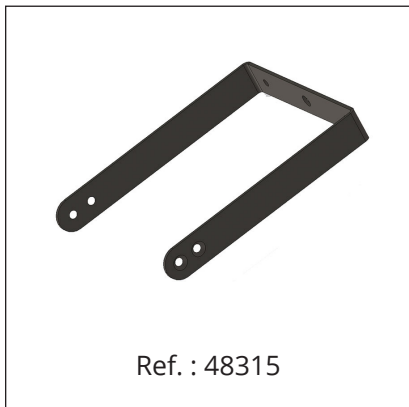


(1) Peak Level measured at 1M under free field conditions using 12dB crest factor multitone IEC 60268. 518.1.2b, Compression limit of 3dB

## Rigging accessories

---

### U-bracket for CYRIS CX6

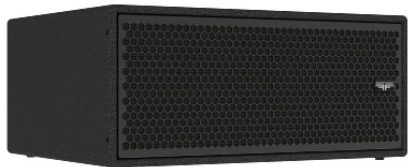


## Subwoofers

---

### C210Sa

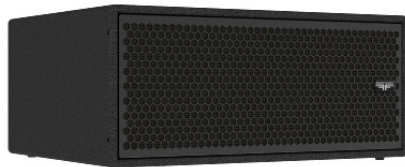
Low-profile 2x10" self-powered subwoofer.



Ref. : 48310

### C210S

Low-profile 2x10" subwoofer.



Ref. : 48321

## Contact & Links

---

### Need more information about our products ?

[www.audiofocus.eu](http://www.audiofocus.eu)

[info@audiofocus.eu](mailto:info@audiofocus.eu)

[www.facebook.com/AudiofocusPage/](https://www.facebook.com/AudiofocusPage/)

[www.facebook.com/groups/AUDIOFOCUS/](https://www.facebook.com/groups/AUDIOFOCUS/)

Scan QR Code to view the CYRIS CX6 product's web page.



Follow Us.

