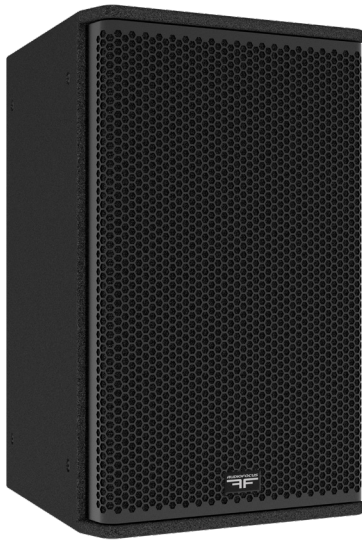


FRX 12i High SPL. Compact and Scalable.



FRX 12i is a compact, powerful bi-amplified 2-way constant curvature loudspeaker, optimized for medium throw, high SPL installation applications. FRX 12i is a uniquely versatile building block for systems ranging from single top pole mounts to left/right, central cluster, or in the round setups. Typically used in horizontal ground stack configurations, FRX 12i can also be flown horizontally or vertically, allowing it to adapt to the needs of the venue. The adjustable 80x30° AF horn can be configured quickly without the need for tools.

Our proprietary X-Comb DSP technology eliminates comb effects, ensuring perfect coupling between FRX 12i cabinets and creating a coherent wavefront at any location. The enclosure houses a 1.4" diaphragm compression driver loaded with a 12" neodymium low-frequency transducer and offers two distinct directivity plans.

FRX 12i can be quickly deployed in any configuration when used with AUDIOFOCUS A Series amplifiers with integral DSP and dedicated presets. Armonia presets are also available for Powersoft amplifiers.

FRX 12i is built with pride in Belgium and coated in tough, weather resistant polyurea to safeguard your investment. The cabinet front is protected by a rigid metal grill, backed by acoustically transparent foam.



Up to 1.000



80° x 30°



55Hz - 20kHz

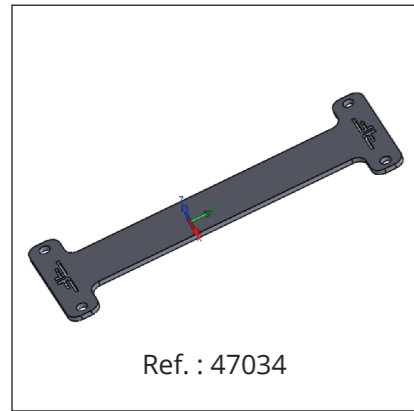
Technical specifications

Description	2-way bi-amplified full-range installation constant curvature element
Transducers	LF: 1 x 12" • HF: 1x1.4" exit compression driver / voice coil diameter 1.75"
Frequency range (-6dB)	55Hz-20 kHz
Nominal directivity (-6dB)	80°x30° • Screw rotatable
SPL max (1)	136 dB
Processing	Dedicated AUDIOFOCUS SCiO and Powersoft Armonia presets
Rigging	M8 threaded inserts Optional bracket and rigging hardware available
Connectors	2 x SPK4 speakON
Nominal Impedance	LF: 8ohm • HF: 8ohm
Watt AES/peak	LF: 600/2400W • HF: 80/320W
Dimensions (H x W x D)	604 x 382 x 437 mm • 23.77 x 15.03 x 17.2 inches
Weight	31,5kg / 69.44lbs
Finish	Highly resistant polyurea coating
Cabinet	High grade birch plywood

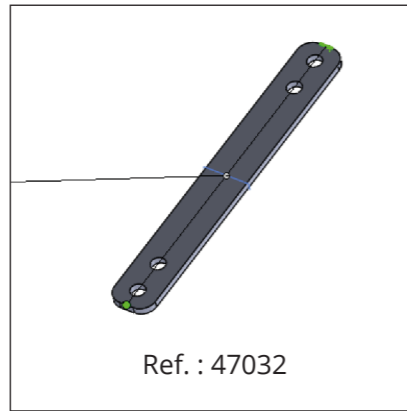
(1) Peak level measured at 1 m under free field conditions using pink noise with crest factor 5

Accessories

Cluster plate for 2 FRX 12i



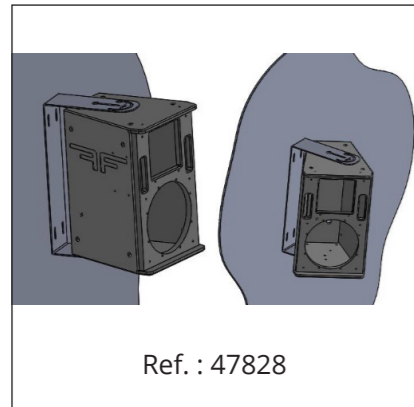
Small rigging plate



Large rigging plate



Horizontal yoke rotatable
For truss or wall



Eyebolt M8, DIN 580 - 0.14t
WLL

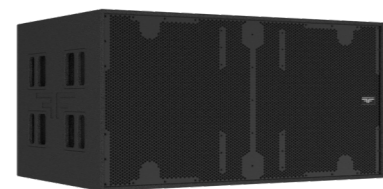


Subwoofers

S 21i
Touring high performance
compact 21" subwoofer

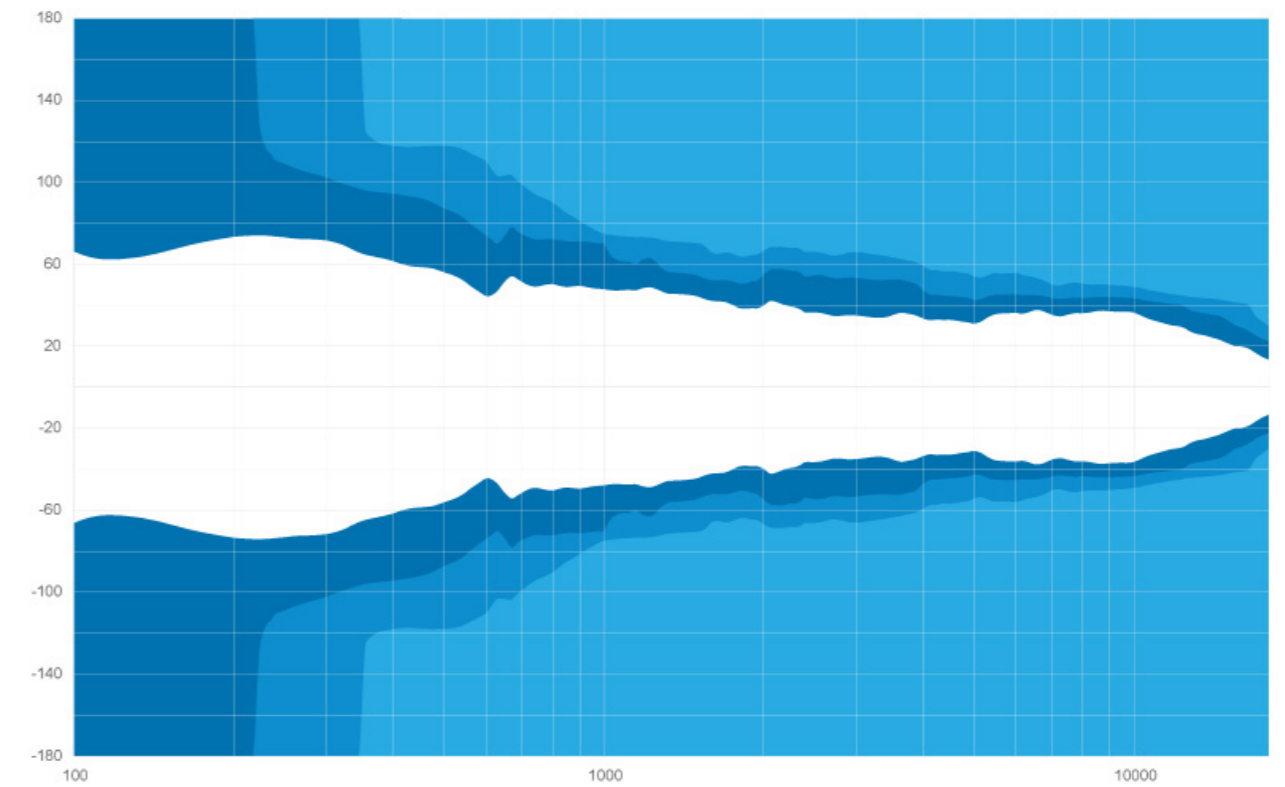


MTSub 218i
Install High performance 2 x 18"
subwoofer

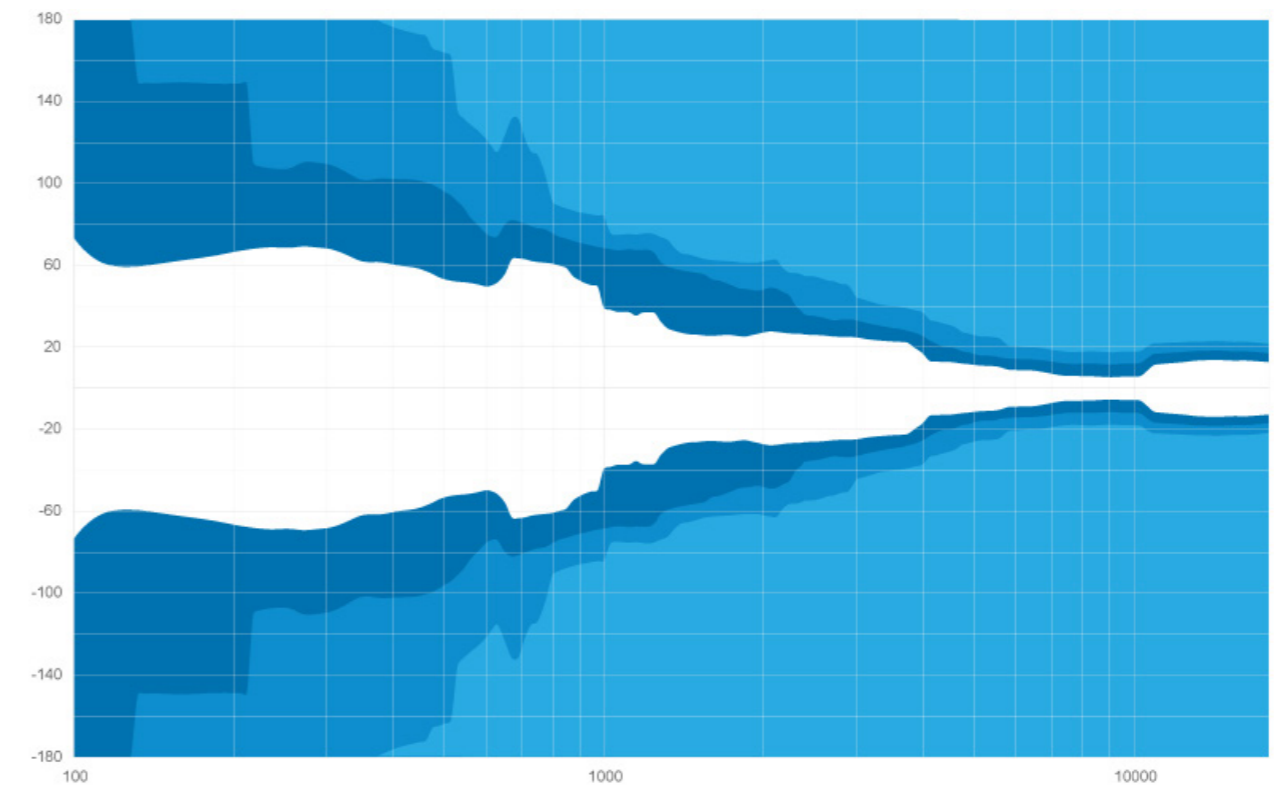


Beamwidth

FRX 12i Horizontal beamwidth



FRX 12i Vertical beamwidth



Contact & Links

Need more information about our products ?

www.audiofocus.eu

info@audiofocus.eu

www.facebook.com/AudiofocusPage/

www.facebook.com/groups/AUDIOFOCUS/

Scan QR Code to view the FRX 12i product's web page.



Follow Us.

