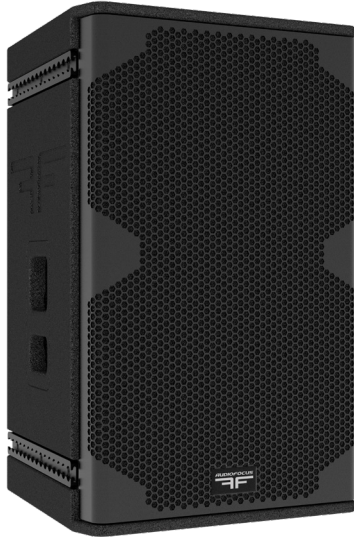


FRX 15 High SPL. Maximum Clarity.



FRX 15 is a compact, powerful bi-amplified 2-way constant curvature loudspeaker, optimized for medium throw, high SPL live applications. FRX 15 is a uniquely versatile building block for systems ranging from single top pole mounts to left/right, central cluster or in the round setups. Typically used in horizontal ground stack configurations, FRX 15 can also be flown and its adjustable 80×30° AF horn can be reconfigured quickly without the need for tools.

Our proprietary X-Comb DSP technology eliminates comb effects, ensuring perfect coupling between FRX 15 cabinets and creating a coherent wavefront at any location. The enclosure houses a 1.4" diaphragm compression driver loaded with a 15" neodymium low-frequency transducer and offers two distinct directivity plans.

FRX 15 can be quickly deployed in any configuration when used with AUDIOFOCUS A Series amplifiers with integral DSP and dedicated presets. Armonia presets are also available for Powersoft amplifiers.

FRX 15 is built with pride in Belgium and coated in tough, weather-resistant polyurea to safeguard your investment. The cabinet front is protected by a rigid metal grill, backed by acoustically transparent foam.



Up to 3.000



80° x 30°



55Hz - 20kHz

Technical specifications

Description	2-way bi-amplified full-range constant curvature element
Transducers	LF: 1 x 15" • HF: 1x1.4" exit compression driver / voice coil diameter 1.75"
Frequency range (-6dB)	55Hz-20 kHz
Nominal directivity (-6dB)	80°x30° • Rotatable horn, no tools needed
SPL max (1)	138 dB
Processing	Dedicated AUDIOFOCUS and Powersoft Armonia presets
Rigging	Pole mounted and Aeroquip fly tracks with dedicated rigging
Connectors	2 x 4-point speakON
Nominal Impedance	LF: 8ohm • HF: 8ohm
Watt AES/peak	LF: 600/2400W • HF: 80/320W
Dimensions (H x W x D)	680 x 429 x 437 mm • 26.77 x 16.88 x 17.20 inches
Weight	33,5kg / 73.85lbs
Finish	Highly resistant polyurea coating
Cabinet	High grade birch plywood

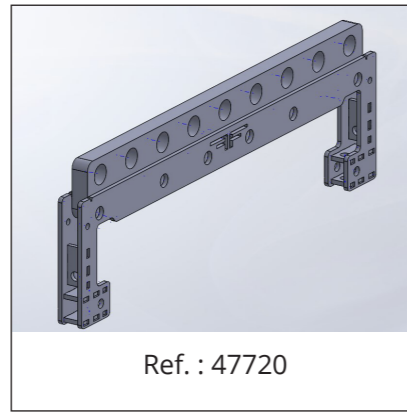
(1) Peak level measured at 1 m under free field conditions using pink noise with crest factor 5

Accessories

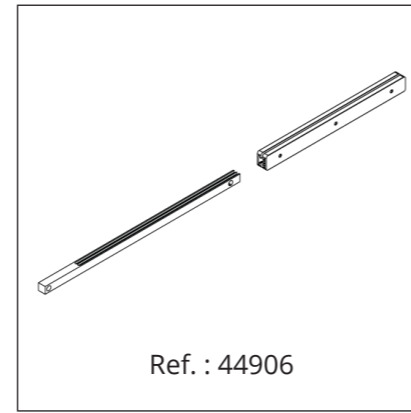
Delta bar for bumper of FRX 15



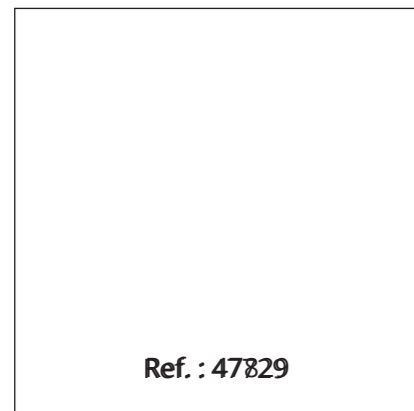
Bumper for FRX 15 series



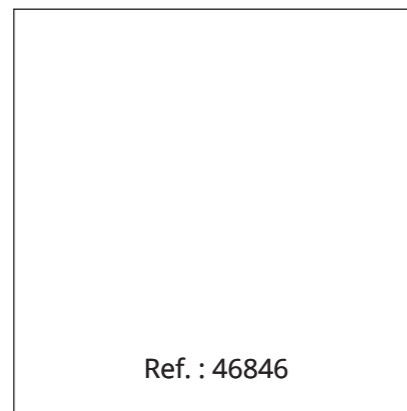
"H" profile for FRX 15 series



Horizontal Yoke for FRX 15



Protection Cover for FRX 15



Rain Cover for FRX 15 series



Flight case

Flight-case for 2 FRX 15 incl. wheels

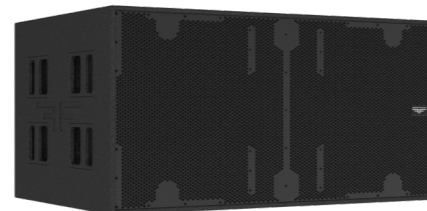


Subwoofers

S 21
Touring high performance compact 21" subwoofer

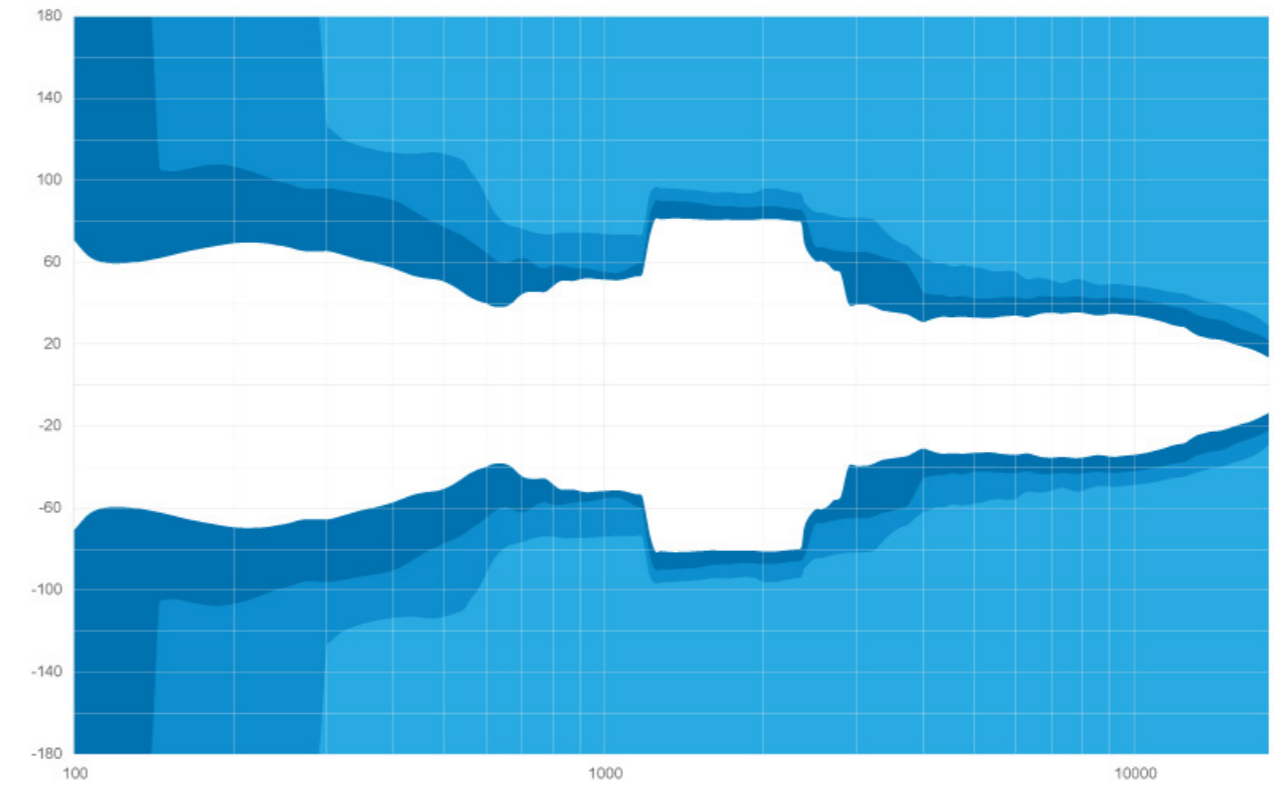


MTSub 218
High performance passive 2x18" touring subwoofer

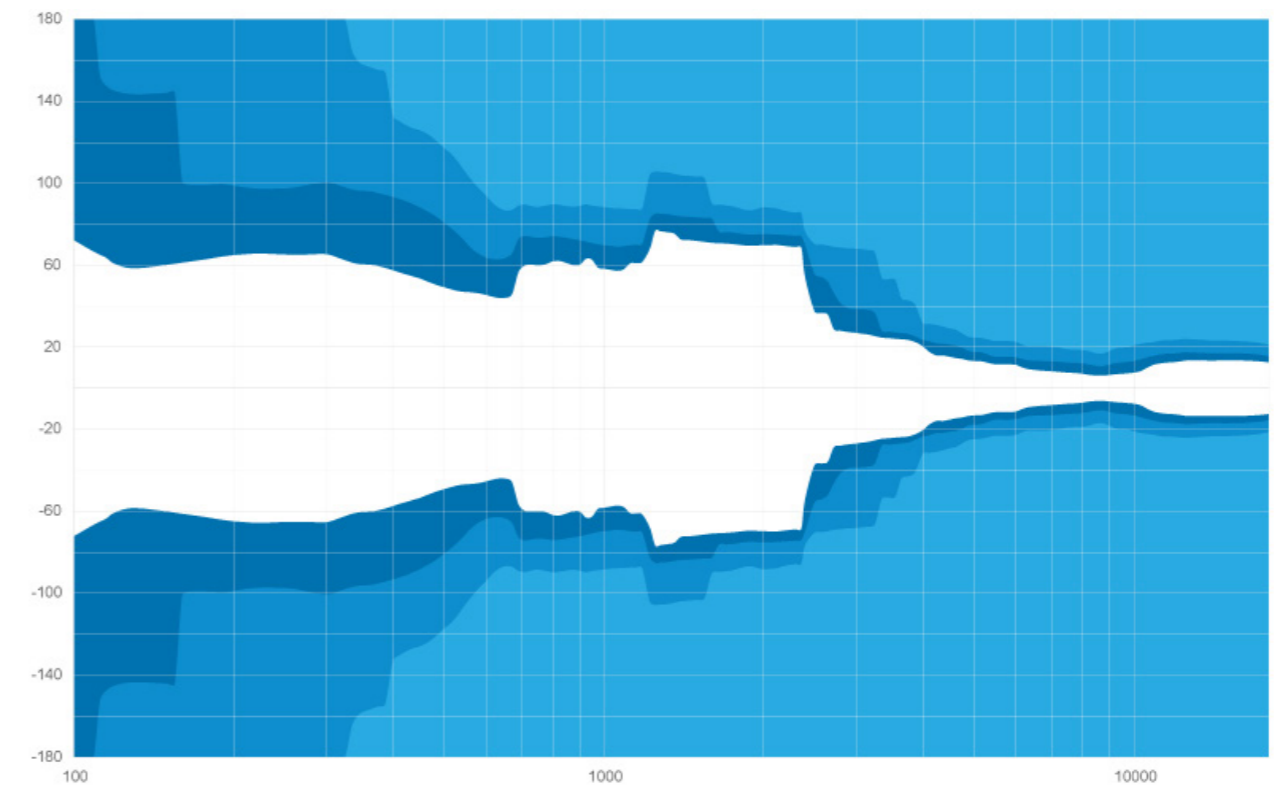


Beamwidth

FRX 15 Horizontal beamwidth



FRX 15 Vertical beamwidth



Contact & Links

Need more information about our products ?

www.audiofocus.eu

info@audiofocus.eu

www.facebook.com/AudiofocusPage/

www.facebook.com/groups/AUDIOFOCUS/

Scan QR Code to view the FRX 15 product's web page.



Follow Us.

