

# ELIZ 210 bi-amp 2 x 10" line array

(Preliminary information)

ELIZ 210 is a versatile bi-amp 2 x 10" line array system offering exceptional power and precision in a compact, lightweight format.



ELIZ 210 mounts twin 10" LF transducers in a V formation and harnesses Tetracoil Double Voice Coil technology for exceptional power, enhanced low end performance, precise control, outstanding impulse response, and superior transient handling. A large next-gen titanium diaphragm 4" HF compression driver delivers excellent linearity and mid-band clarity.

A custom two-part ABS magnetized horn plug allows super-fast adjustment of horizontal dispersion, providing maximum versatility with a single top cabinet design. The ELIZ range shares the same audio signature, hanging frame, and 118S flown and ground-stacked subwoofers as the ARRoCC constant curvature range, helping rental companies to manage an efficient inventory capable of handling short, medium and long-throw scenarios.



90° x 8°  
variable



55Hz - 19kHz

ELIZ 210 is built in Belgium by skilled craftspeople and state-of-the-art machinery.

## Technical specifications

Description	Bi-amplified line array loudspeaker
Transducers	LF: 2x10" Tetracoil • HF: 1x1.5" exit compression driver / voice coil diameter 4"
Frequency range (-6dB)	55Hz - 19kHz
Nominal directivity (-6dB)	90°x 8° • External plate option for 70° coverage
Peak SPL <sup>1</sup>	140dB Mtone (preliminary)
Processing	Dedicated AUDIOFOCUS A series SCiO and Powersoft Armonia presets
Rigging	16 angles from 0 to 8°. Same rigging frame as ARRoCC system and 118S, 2 or single point motor option, adjustable extension beam
Connectors	2 x 4-point speakON
Dimensions (H x W x D)	290 x 700 x 545 mm • 11.4 x 27.6 x 21.5 inches
Weight	32kg / 71lbs (preliminary)
Finish	Highly resistant polyurea coating
Cabinet	High grade birch plywood



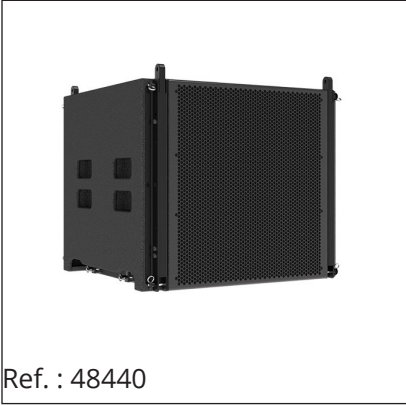
(1) Mtone 12 dB crest factor with compression of 2dB average in the low section

## Related Products

---

### 118S

Touring passive compact 18" subwoofer



### A-3004 SCiO

4 x 3000W amplifier with DSP



### A-1504 SCiO

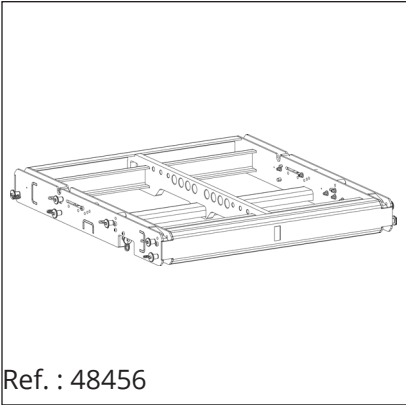
4 x 1500W amplifier with DSP



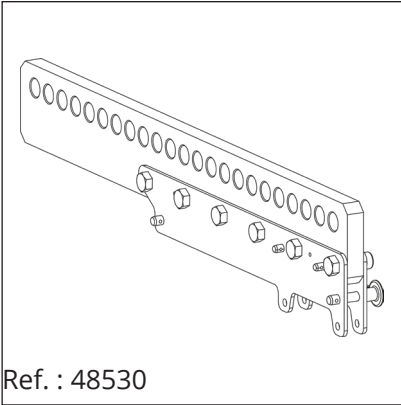
## Accessories

---

### Touring/Install 210 Frame



### Touring/Install 210 Beam



**48588 - Dolly ELIZ 210 Dolly for ELIZ 210 (4pcs)**

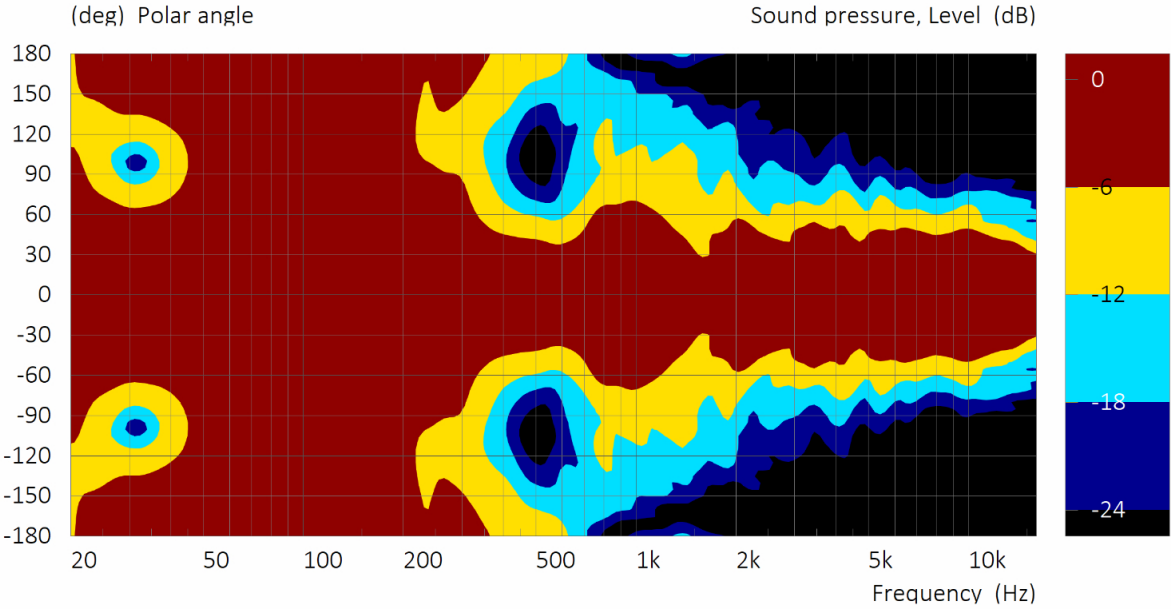
**48589 - Dual Dolly ELIZ 210 Dolly for ELIZ 210 (8pc / 6pc + frames)**

**48590 - Cover 3x ELIZ 210 Protection cover for ELIZ 210 (3pcs)**

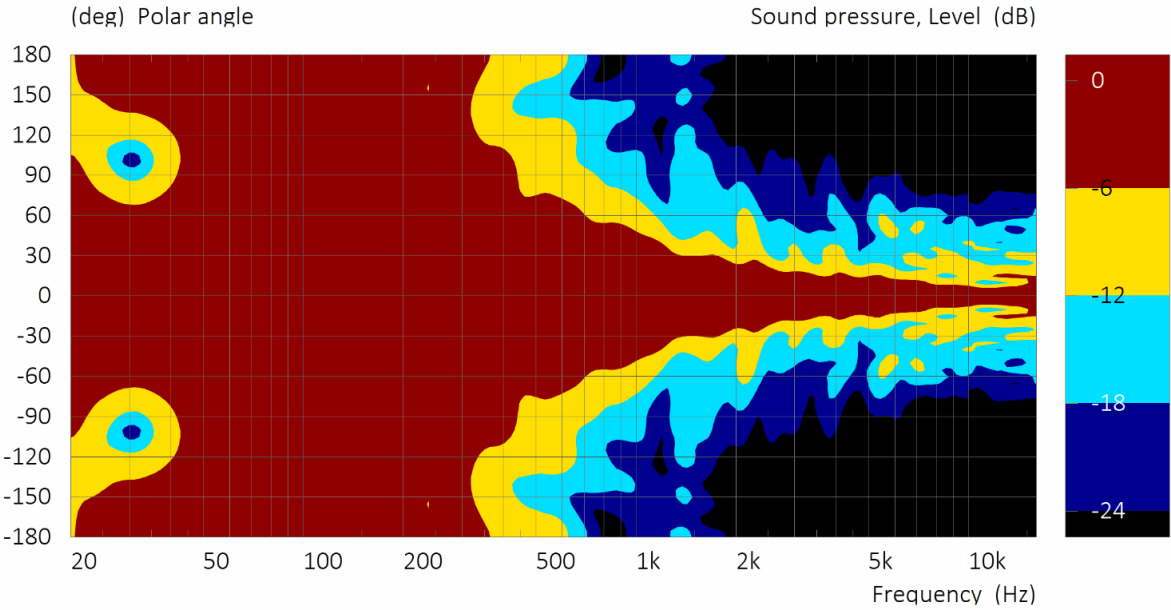
**48591 - Cover 4x ELIZ 210 Protection cover for ELIZ 210 (4pcs)**

# Beamwidth

## ELIZ 210 Horizontal Beamwidth - 90° No Insert

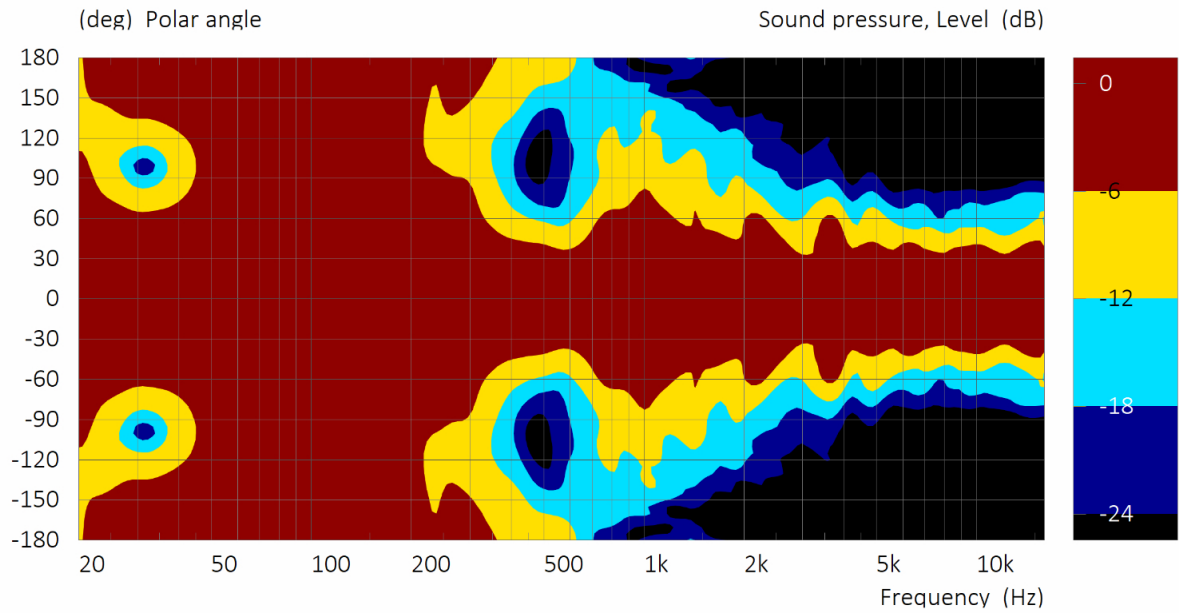


## ELIZ 210 Vertical Beamwidth - No insert

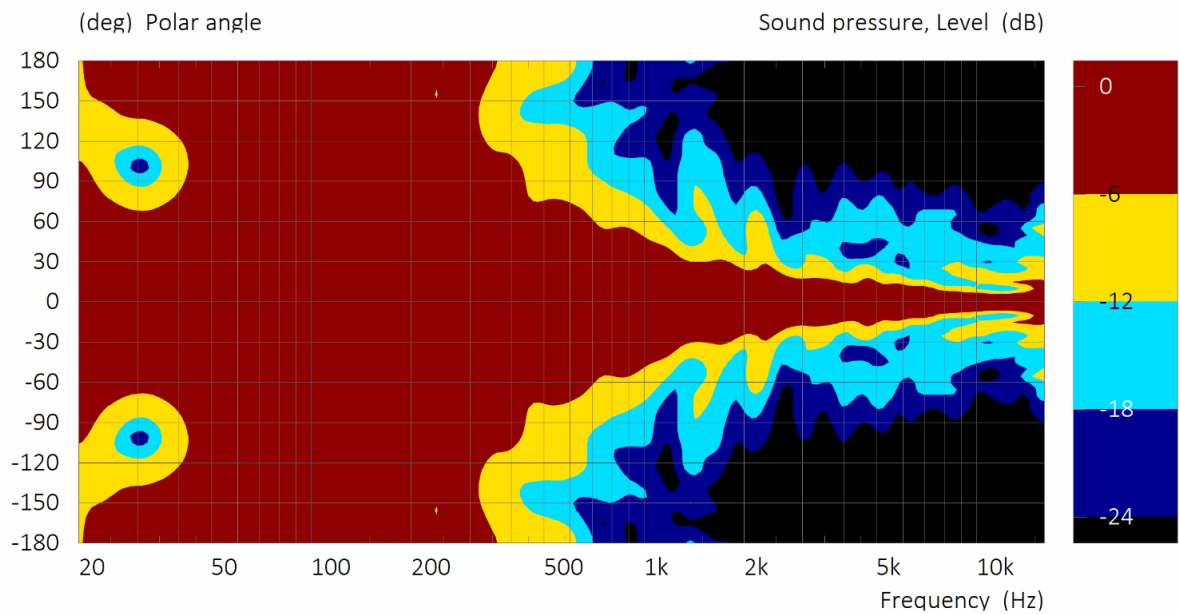


# Beamwidth

## ELIZ 210 Horizontal Beamwidth - 70° Insert Fitted



## ELIZ 210 Vertical Beamwidth- Insert Fitted



## Contact & Links

---

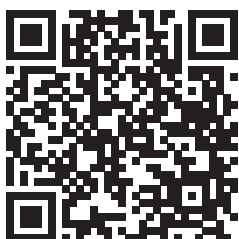
### Need more information about our products ?

[www.audiofocus.eu](http://www.audiofocus.eu)

[info@audiofocus.eu](mailto:info@audiofocus.eu)

[www.facebook.com/AudiofocusPage/](https://www.facebook.com/AudiofocusPage/)

[www.facebook.com/groups/AUDIOFOCUS/](https://www.facebook.com/groups/AUDIOFOCUS/)



### Follow Us.

